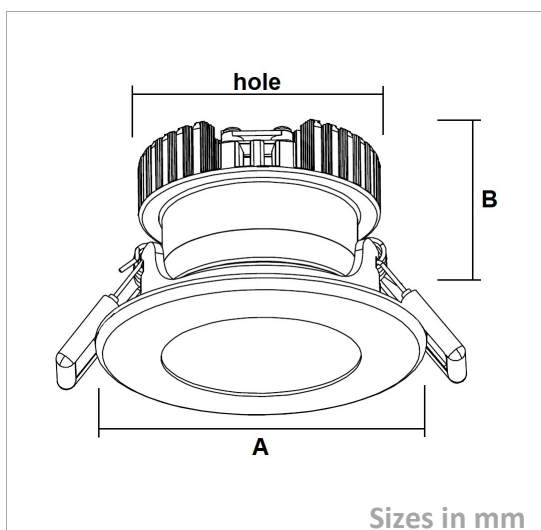


## Downlight

### COB1-DWR180-40W

#### Picture



#### Packing

Unit Volum (CBM)	0,00567967875
Unit GW (kg)	1,125
Qty per carton	16

#### Description

Type	LED Downlight
Connection	Wire

#### Electrical Parameters

Gr. Power	40W ±5%
InputVoltage	AC200-240V
Driver	Lifud
Dimmable	Not dim.

#### Lighting Parameters

Beam Angle	15/38/60/110
Colors	3000°K; 4000°K; 6000°K
Lumens	3800-4500
CRI	90Ra

#### Structure Parameters

Fixture Color	White; Black
Cover	Clear
Dimensions	dia180*93mm (hole145-170)

#### Protection Parameters

Rating	IP33/UGR<19
Electrical Class	Class II
Lifetime	LM79/LM80
Warranty (Years)	5

#### Options

Dimmable	Triac <input checked="" type="checkbox"/> 0-10V <input type="checkbox"/> 1-10V <input checked="" type="checkbox"/> DALI <input checked="" type="checkbox"/>
CRI	>90Ra <input type="checkbox"/> >92Ra <input type="checkbox"/> >95Ra <input type="checkbox"/> >98Ra <input type="checkbox"/>
Other	Optional: 110°; special CCT; IP54; Silver housing