

### DWR190-C-COB-18W

#### Picture



#### Description

Type	LED Downlight
Connection	Wire

#### Electrical Parameters

Gr. Power	18W ±5%
InputVoltage	AC200-240V
Driver	External
Dimmable	Not dim.

#### Lighting Parameters

Beam Angle	36/60
Colors	2700°K; 3000°K; 4000°K; 5000°K
Lumens	2160
CRI	80Ra

#### Structure Parameters

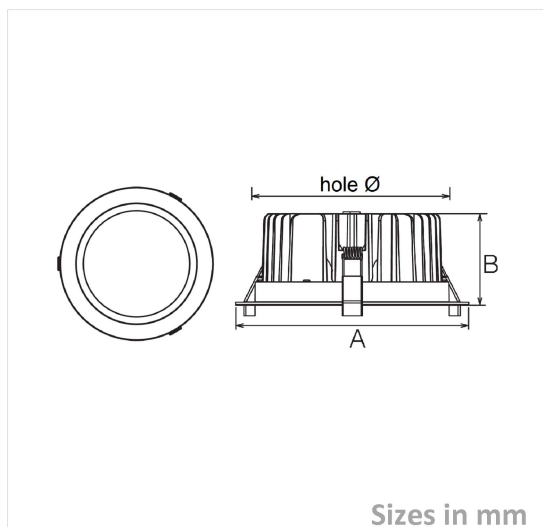
Fixture Color	White; Black; Silver
Cover	Clear
Dimensions	dia190(A)*75(B)mm (hole 160-17)

#### Protection Parameters

Rating	Indoor Use
Electrical Class	Class II
Lifetime	>50.000h
Warranty (Years)	3

#### Options

Dimmable	Triac <input checked="" type="checkbox"/> 0-10V <input checked="" type="checkbox"/> 1-10V <input type="checkbox"/> DALI <input type="checkbox"/>
CRI	>90Ra <input type="checkbox"/> >92Ra <input type="checkbox"/> >95Ra <input type="checkbox"/> >98Ra <input type="checkbox"/>
Other	Optional: CCT switch; IP44



#### Packing

UnitVolum (CBM)	0,00804576
Unit GW (kg)	1,2
Qty per carton	12