

Downlight

DWR225-C-COB-25W

Picture



Description

Type	LED Downlight
Connection	Wire

Electrical Parameters

Gr. Power	25W ±5%
InputVoltage	AC200-240V
Driver	External
Dimmable	Not dim.

Lighting Parameters

Beam Angle	24/36/60
Colors	2700°K; 3000°K; 4000°K; 5000°K
Lumens	2875
CRI	80Ra

Structure Parameters

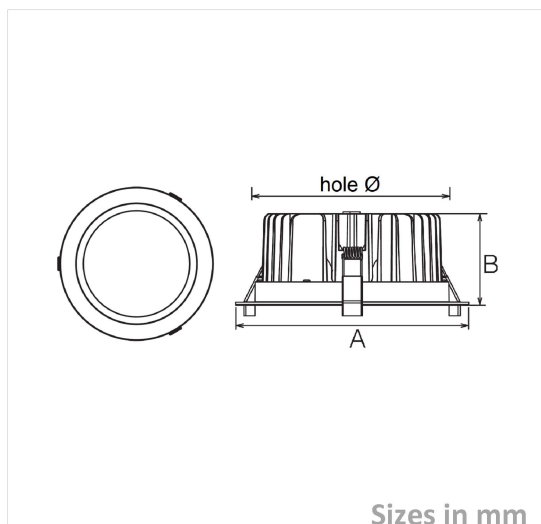
Fixture Color	White; Black; Silver
Cover	Clear
Dimensions	dia225(A)*75(B)mm (hole 200-21)

Protection Parameters

Rating	Indoor Use
Electrical Class	Class II
Lifetime	>50.000h
Warranty (Years)	3

Options

Dimmable	Triac <input checked="" type="checkbox"/> 0-10V <input checked="" type="checkbox"/> 1-10V <input type="checkbox"/> DALI <input type="checkbox"/>
CRI	>90Ra <input type="checkbox"/> >92Ra <input type="checkbox"/> >95Ra <input type="checkbox"/> >98Ra <input type="checkbox"/>
Other	Optional: CCT switch; IP44



Packing

UnitVolum (CBM)	0,012342
Unit GW (kg)	1,8
Qty per carton	12