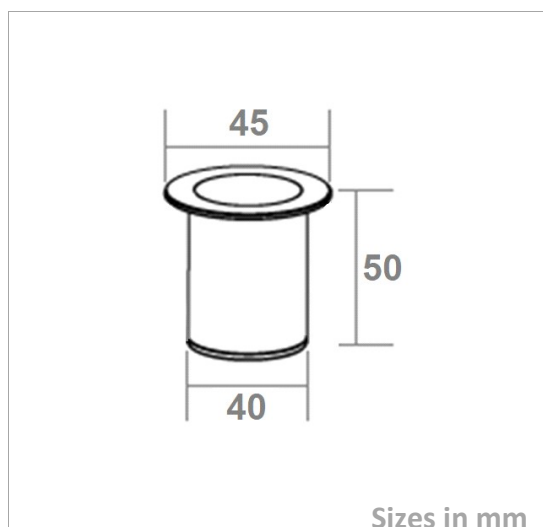


## Downlight

### DWR45-MINI-P-3W

#### Picture



#### Packing

UnitVolum (CBM)	0,0006885
Unit GW (kg)	0,25
Qty per carton	40

#### Description

Type	LED Downlight
Connection	Connector

#### Electrical Parameters

Gr. Power	3W ±5%
InputVoltage	AC85-277V
Driver	Included
Dimmable	Not dim.

#### Lighting Parameters

Beam Angle	8/24
Colors	2700°K; 3000°K; 4000°K; 5000°K;
Lumens	300
CRI	80Ra

#### Structure Parameters

Fixture Color	White
Cover	Lens
Dimensions	dia45*50 (hole 40) mm

#### Protection Parameters

Rating	Indoor Use/flicker free
Electrical Class	Class I <input type="checkbox"/> Class II <input checked="" type="checkbox"/> Class III <input type="checkbox"/>
Lifetime	>50.000h
Warranty (Years)	3

#### Options

Dimmable	Triac <input type="checkbox"/> 0-10V <input type="checkbox"/> 1-10V <input type="checkbox"/> DALI <input type="checkbox"/>
CRI	>90Ra <input checked="" type="checkbox"/> >92Ra <input type="checkbox"/> >95Ra <input type="checkbox"/> >98Ra <input checked="" type="checkbox"/>
Other	Optional: Orientable version