

Inground Light

SOLEN135-DR-P-9W

Picture



Description

Type	LED Inground Light
Connection	Wire

Electrical Parameters

Gr. Power	9W ±5%
InputVoltage	AC240V
Driver	Internal
Dimmable	Not dim.

Lighting Parameters

Beam Angle	10/15/25/30/45/60/90/110
Colors	WWY; WW; DL; CW
Lumens	750
CRI	80Ra

Structure Parameters

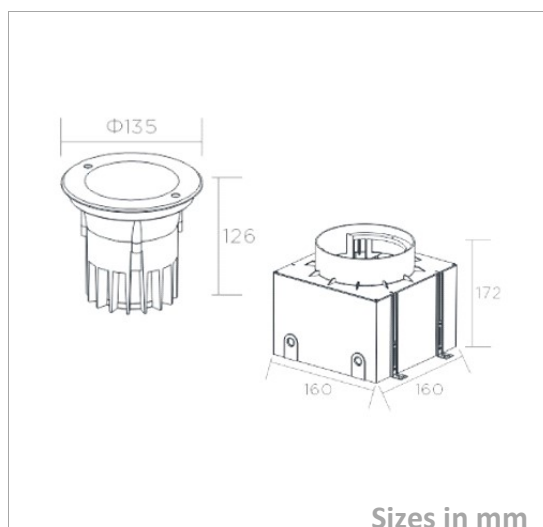
Fixture Color	SS316
Cover	Clear; Louver
Dimensions	dia135*126(160*160*172)mm

Protection Parameters

Rating	IP67/IK10
Electrical Class	Class I
Lifetime	>50.000h
Warranty (Years)	3

Options

Dimmable	Triac <input type="checkbox"/> 0-10V <input type="checkbox"/> 1-10V <input type="checkbox"/> DALI <input type="checkbox"/>
CRI	>90Ra <input type="checkbox"/> >92Ra <input type="checkbox"/> >95Ra <input type="checkbox"/> >98Ra <input type="checkbox"/>
Other	Orientable (DRO) or COB for option. Available in DC24V: dimmable; RGB; RGBW



Packing

UnitVolum (CBM)	0,008568
Unit GW (kg)	1,9
Qty per carton	8