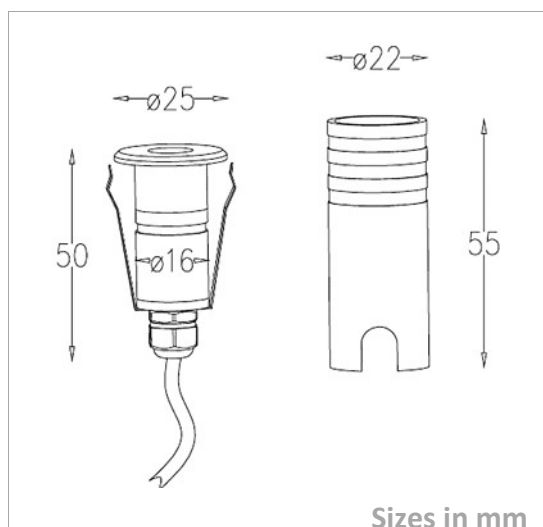


## Inground Light

### SOLEN25-P-1W

#### Picture



#### Packing

Unit Volum (CBM)	0,00023562
Unit GW (kg)	0,75
Qty per carton	48

#### Description

Type	LED Inground Light
Connection	Wire

#### Electrical Parameters

Gr. Power	1W ±5%
Input Voltage	DC12V; DC24V
Driver	Not Included
Dimmable	Not dim.

#### Lighting Parameters

Beam Angle	15/30/60°
Colors	WW; DL; CW
Lumens	35
CRI	80Ra

#### Structure Parameters

Fixture Color	SS304
Cover	Clear
Dimensions	dia25*50(22*55)mm

#### Protection Parameters

Rating	IP67/IK06
Electrical Class	Class I <input type="checkbox"/> Class II <input checked="" type="checkbox"/> Class III <input type="checkbox"/>
Lifetime	>50.000h
Warranty (Years)	3

#### Options

Dimmable	Triac <input type="checkbox"/> 0-10V <input type="checkbox"/> 1-10V <input type="checkbox"/> DALI <input type="checkbox"/>
CRI	>90Ra <input type="checkbox"/> >92Ra <input type="checkbox"/> >95Ra <input type="checkbox"/> >98Ra <input type="checkbox"/>
Other	in option: SS316