

Inground Light

SOLEN250-P-COB-30W

Picture



Description

Type	LED Inground Light
Connection	Wire

Electrical Parameters

Gr. Power	30W ±5%
InputVoltage	DC24V
Driver	Not Included
Dimmable	Not dim.

Lighting Parameters

Beam Angle	10/20/30
Colors	WW; DL; CW; Red; Green; Blue; Y
Lumens	2400
CRI	80Ra

Structure Parameters

Fixture Color	SS316
Cover	Clear; Louver
Dimensions	dia250*38(232(190*126)mm

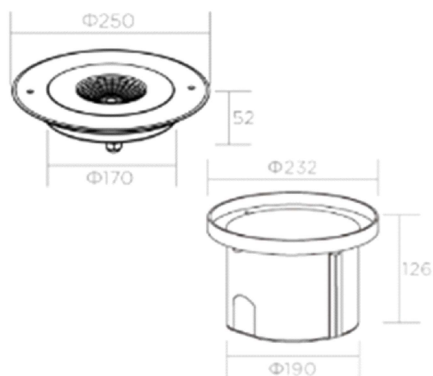
Protection Parameters

Rating	IP67/IK08
Electrical Class	Class I <input type="checkbox"/> Class II <input checked="" type="checkbox"/> Class III <input type="checkbox"/>
Lifetime	>50.000h
Warranty (Years)	3

Options

Dimmable*	Triac <input checked="" type="checkbox"/> 0-10V <input checked="" type="checkbox"/> 1-10V <input checked="" type="checkbox"/> DALI <input checked="" type="checkbox"/>
CRI	>90Ra <input type="checkbox"/> >92Ra <input type="checkbox"/> >95Ra <input type="checkbox"/> >98Ra <input type="checkbox"/>
Other	available in: AC240V (none dimmable only); RGB; RGBW IK10 for option

* Can work with different kind of dimmable drivers (not included)



Sizes in mm

Packing

UnitVolum (CBM)	0,01094715
Unit GW (kg)	3,5
Qty per carton	4