

Inground Light

SOLINE300.80-P-8W

Picture



Description

Type	LED Inground Light
Connection	Wire

Electrical Parameters

Gr. Power	8W ±5%
InputVoltage	DC24V
Driver	Not Included
Dimmable	Not dim.

Lighting Parameters

Beam Angle	5/8/10/15/30/35/45/60°/Asym.
Colors	WW; DL; CW
Lumens	80Lm/W
CRI	80Ra

Structure Parameters

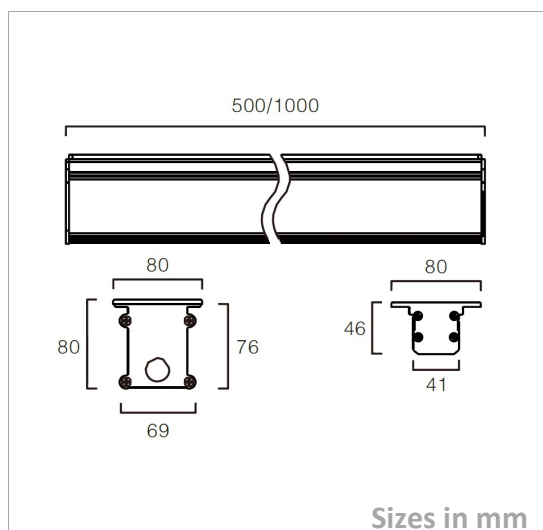
Fixture Color	White; Black; Silver; Grey
Cover	Clear; Frosted
Dimensions	300*80*69mm

Protection Parameters

Rating	IP67/IK09
Electrical Class	Class II
Lifetime	>50.000h
Warranty (Years)	3

Options

Dimmable	Triac <input type="checkbox"/> 0-10V <input type="checkbox"/> 1-10V <input type="checkbox"/> DALI <input type="checkbox"/>
CRI	>90Ra <input type="checkbox"/> >92Ra <input type="checkbox"/> >95Ra <input type="checkbox"/> >98Ra <input type="checkbox"/>
Other	Optional: RGB/RGBW; asymetrical beam: 10*30/10*60/15*45/15*60/20*40/30*60°



Sizes in mm

Packing

UnitVolum (CBM)	0,003468
Unit GW (kg)	1,4
Qty per carton	6